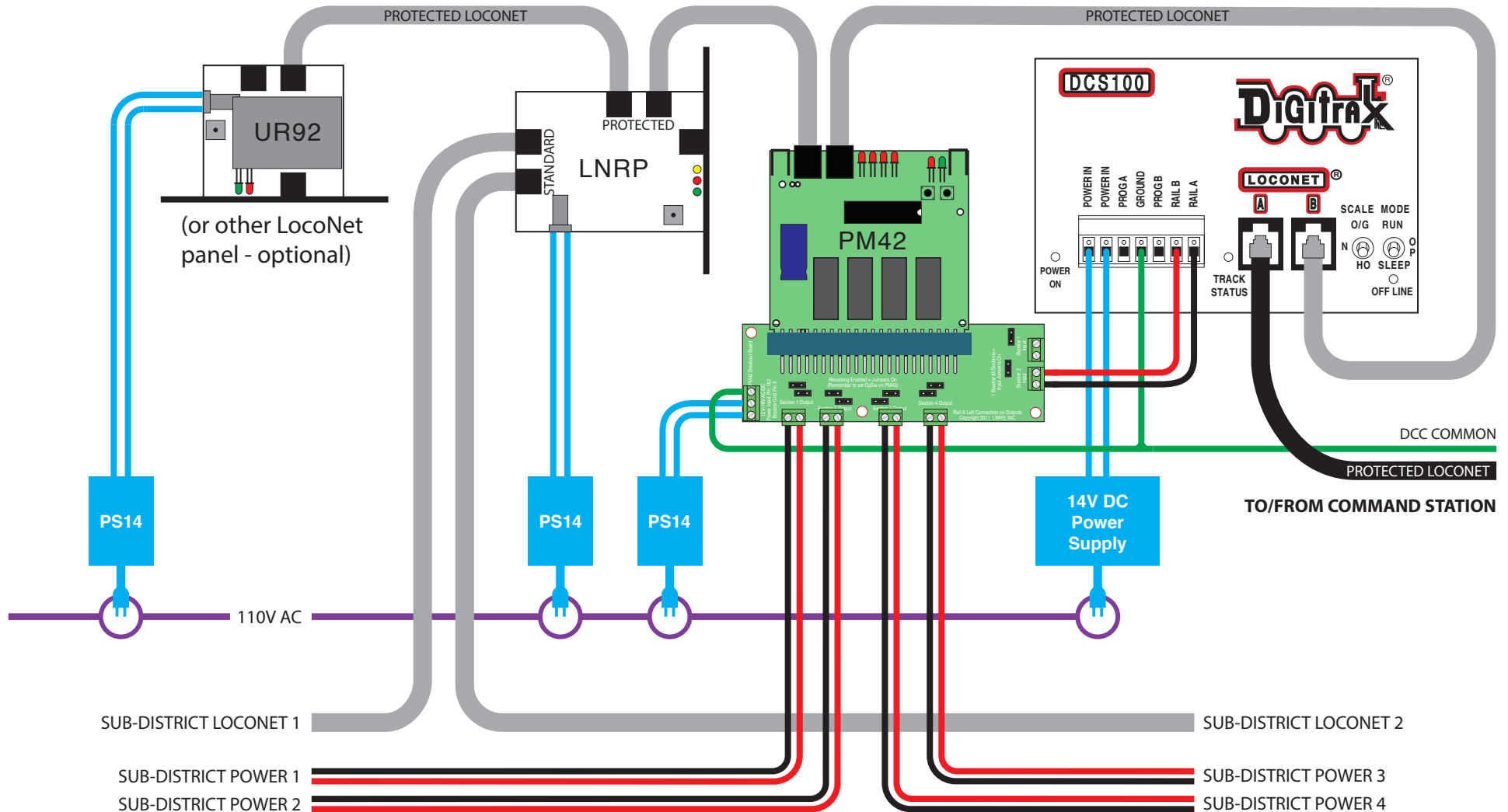


Distributed Power Setup For One Layout Power District (District In A Box - Star Network Configuration - PM42)



Requires 110V AC, DCC Common connection and one protected LocoNet connection from Command Station.
 Recommended length of power district is 60 - 80 feet with booster, LNRP and PM42 in the center.
 Provides two isolated LocoNet sub-districts and four breaker protected power sub-districts.